

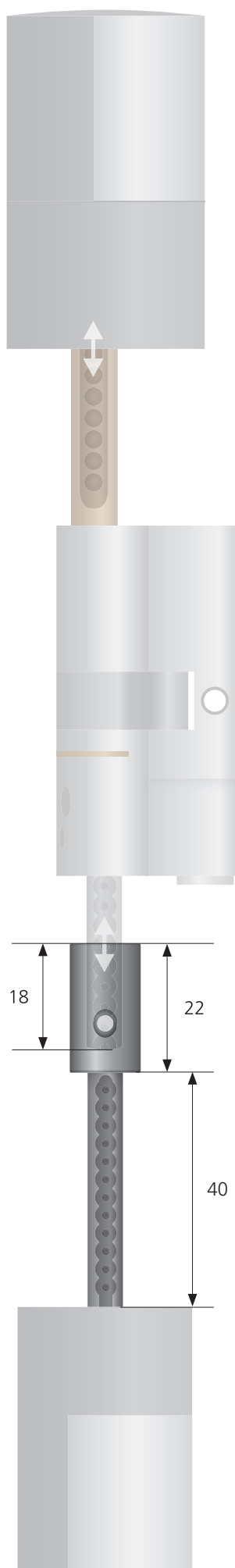
secuENTRY Shaft extension

Order no.: 56450

Technical details.

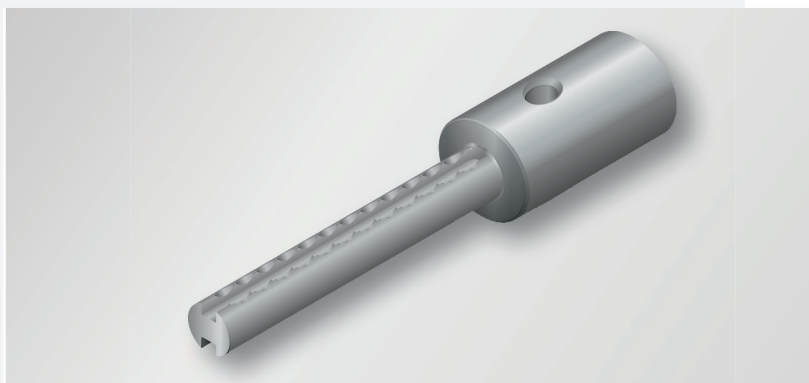
Material	Stainless steel
Fastening	The original shaft must be adjusted according to the door dimensions
Adjustment	For the intervals of 61 to 77 mm (measured from the forend screw mid position), the standard shaft must be shortened by up to 16 mm!
Extension of outer shaft maximum	104 mm (measured from the forend screw mid position)
Optional	The cylinder extension can be carried out by the factory if required

secuENTRY Shaft extension.



Dimensions in mm | Fig. 1:1

Product illustration.



Product information.

Scope of delivery:

- Shaft extension
- Fastening bolt